



Antaira Technologies

LMX-2804G-4XS Series

28-Port Industrial Managed Gigabit Ethernet Switch w/24*10/100/1000T and 4*1G/2.5G/10G SFP+ Slots

Quick Installation Guide

Version 1.0
(August 2024)

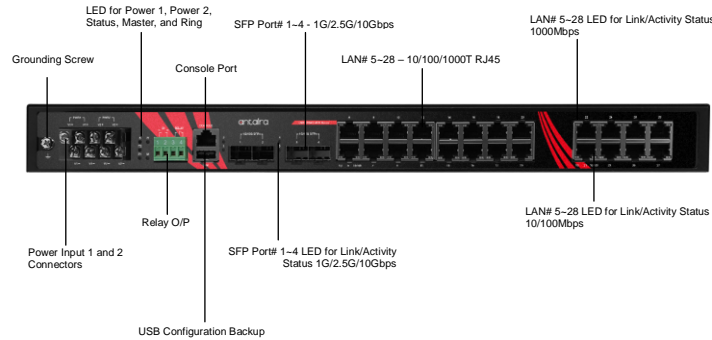


Package Check List

The package contains the following items:

- 1 – Quick Installation Guide
- 1 – LMX-2804G-4XS(-T)
- 1 – Rack Mounting Brackets and Screws
- 1 – RJ45 to DB9 Serial Console Cable
- 1 – Dust Cover Set

Front Panel Layout



Back Panel View



Product Overview

System Interface/Performance

- All RJ45 ports support the auto MDI/MDI-X function
- Embedded 24*10/100/1000T RJ45 ports and 4*1G/2.5G/10G SFP+ ports
- Store-and-forward switching architecture
- 32K MAC address table

Power Input & Connection

- DC 12 to 48V through 8-pin redundant power inputs
- It is recommended to use a UL listed industrial power supply

Operating Temperature

- Standard operating temperature model: -10°C to 65°C
- Extended operating temperature model: -40°C to 75°C

Case/Installation

- IP30 Protection
- 1U Rackmount Design

LED Indicators

LED	Color	Description	
Power 1	Green	On	Power input 1 is active
		Off	Power input 1 is inactive
Power 2	Green	On	Power input 2 is active
		Off	Power input 2 is inactive
Status	Green	On	No event happened
		Flashing	Press the reset button less than 4s (Reset device)
	Red	On	Event happened
		Flashing	1. System booting 2. Press the reset button more than 8s (Backup configuration to USB)
Green / Red	Flashing	Press the reset button more than 4s-8s (Reset to default)	
		ERPS Owner Mode (Ring Master) is ready	
Master	Green	On	ERPS Owner Mode (Ring Master) is ready
		Off	ERPS Owner Mode is not active
Ring	Green	On	ERPS Ring Network is active
		Flashing	ERPS Ring works abnormally or misconfigure
		Off	ERPS Ring Network is not active
SFP Port 1-4 LINK/ACT	Green	On	Connected to network, 10Gbps
		Flashing	Networking is active
		Off	Not connected to network
	Amber	On	Connected to network, 2.5G/1Gbps
		Flashing	Networking is active
Off	Not connected to network		
LAN Port 5-28 (Left/Right LED)	Green	On	Connected to network, 1000Mbps
		Flashing	Networking is active
	Green	Off	Not connected to network
		On	Connected to network, 10/100Mbps
		Flashing	Networking is active
Off	Not connected to network		

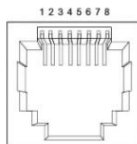
Tel: 1-714-671-9000
Fax: 1-714-671-9944
www.antaira.com

Quick Installation

Ethernet RJ45 Port (Auto MDI/MDIX)

RJ45 port is auto-sensing for 10BASE-T, 100BASE-TX or 1000BASE-T device connections. Please follow the wiring pin assignment table below for the Ethernet port installation.

RJ45 Ethernet Port Pin Outs				
Pins	T568A Color	T568B Color	10BASE-T, 100BASE-TX	1000 BASE-T
Pin 1	white/green stripe	white/orange stripe	Rx+	TP0+
Pin 2	green solid	orange solid	Rx-	TP0-
Pin 3	white/orange stripe	white/green stripe	Tx+	TP1+
Pin 4	blue solid	blue solid	unused	TP2+
Pin 5	white/blue stripe	white/blue stripe	unused	TP2-
Pin 6	orange solid	green solid	Tx-	TP1-
Pin 7	white/brown stripe	white/brown stripe	unused	TP3+
Pin 8	brown solid	brown solid	unused	TP3-



SFP Slots

The Small Form-Factor Pluggable (SFP) is a compact optical transceiver used in optical communications.

Please follow the steps below for connecting the SFP and LC cable:

1. Insert the SFP transceiver module into the SFP slot as shown below in *Figure 1* (Please be noted that the triangle mark is at the bottom of the SFP slot). *Figure 2* shows the SFP transceiver module was inserted.

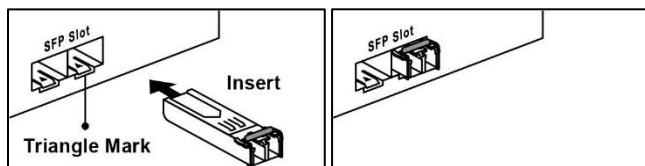


Figure 1

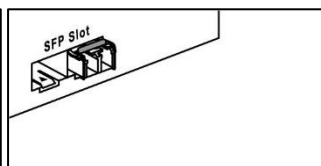


Figure 2

2. Insert the fiber cable of the LC connector into the transceiver as shown below in *Figure 3*.

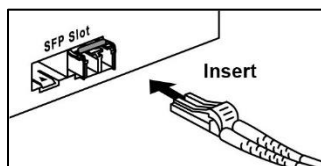


Figure 3

Power Inputs Wiring

Please follow the below steps to insert the power wire:

1. Insert the positive and negative wires into the **PWR1 (V1+, V1-)** and **PWR2 (V2+, V2-)** contacts on the terminal block connector. See *Figure 4*.
2. Tighten the wire-clamp screws to prevent the wires from loosening.



Figure 4

Industrial Switch Mounting

The switch comes with a rack-mounted kit can be mounted in an EIA standard size, 19-inch rack. It can be placed in a wiring closet with other equipment.

Perform the following steps to rack-mount the switch.

1. Position one plate to align with the holes on one side of the hub and secure it with the smaller plate screws. Then, attach the remaining plate to the other side of the switch.



2. After attaching both mounting plates, position the switch in the rack by lining up the holes in the plates with the appropriate holes on the rack. Secure the switch to the rack with a screwdriver and the rack-mounting screws.



***Note:** For proper ventilation, allow at least 4 inches (10 cm) of clearance on the front and 3.4 inches (8 cm) on the back of the switch. This is especially important for enclosed rack installation.

Field Maintenance and Service

- If the device requires servicing of any kind, the user is required to disconnect and remove it from its mounting. The initial installation should be done in a way that makes this as convenient as possible.
- Voltage/Power lines should be properly insulated as well as other cables. Be careful when handling them so as to not trip over it.
- Do not under any circumstance insert foreign objects of any kind into the heat dissipation holes located in the different faces of the device. This may not only harm the internal layout, but might cause harm to user as well.
- Do not under any circumstance open the device for any reason. Please contact your dealer for any repair needed or follow the instructions within the manual.

Warranty Policy

Warranty Conditions

Products supplied by Antaira Technologies are covered in this warranty for sub-standard performance or defective workmanship. The warranty is not, however, extended to goods damaged in the following circumstances:

- (a) Excessive forces or impacts
- (b) War or an Act of God: wind storm, fire, flood, electric shock, earthquake
- (c) Use of unqualified power supply, connectors, or unauthorized parts/kits
- (d) Replacement with unauthorized parts

RMA and Shipping Costs Reimbursement

Customers shall always obtain an authorized "RMA" number from Antaira before shipping the goods for repair or replacement.

- Within the warranty period (based on the invoice date), all parts and labor are free of charge to the customers.
- Customers are responsible for the cost of parts and labor, if the products are out of warranty.
- For RMA service, customers are responsible for the shipping expense for shipping the RMA unit(s) to Antaira. Antaira is responsible for the shipping expense via a ground service for the return repair/replace unit(s) back to customers.

Limited Liability

Antaira would not be held responsible for any consequential losses from using Antaira's product.

Warranty Period

5-Year Warranty

Antaira's Customer Service and Support

- Antaira's Technical Service & Support Centers:
 - + 714-671-9000 (Antaira US Headquarter)
 - + 48-22-862-88-81 (Antaira Europe Office)
 - + 886-2-2218-9733 (Antaira Asia Office)

- Antaira's Web Sites & Repair/Support Emails:

www.antaira.com / support@antaira.com
www.antaira.eu / info@antaira.eu
www.antaira.com.tw / info@antaira.com.tw

***Any changes will be announced on the Antaira website.**